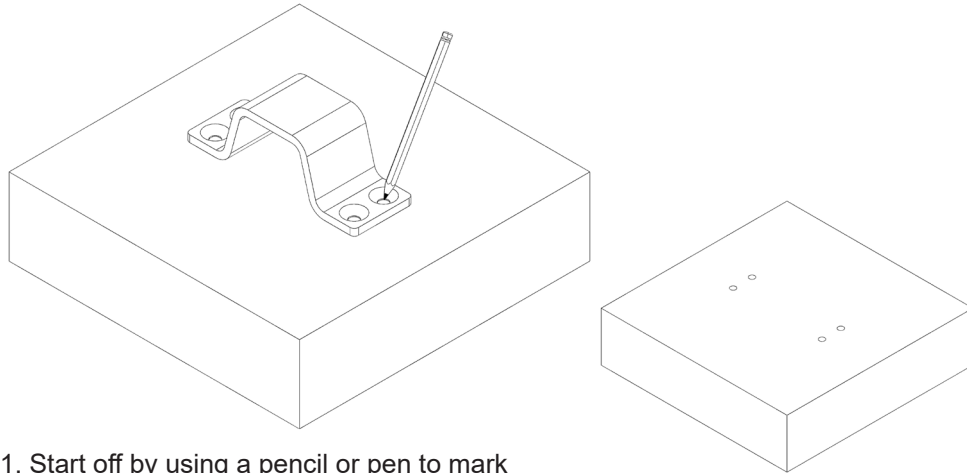


MILENCO

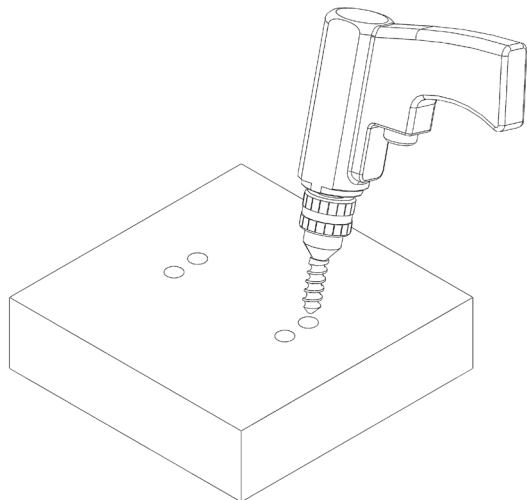
Fitting Dundrod Ground Anchor

THINK READ PLAN



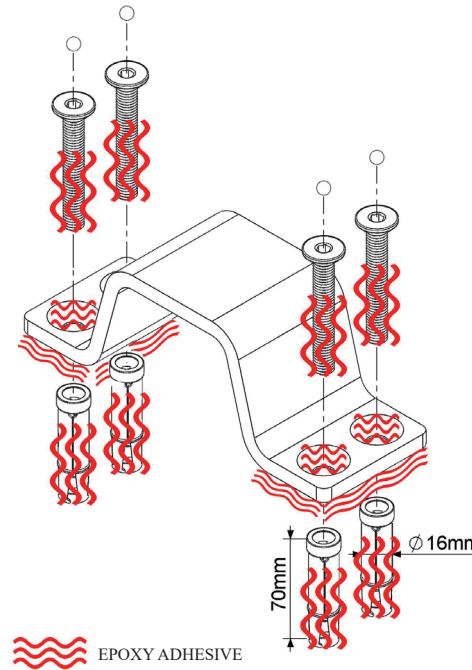
1. Start off by using a pencil or pen to mark where the holes need to be.

The ground anchor should be mounted on concrete or stone, and not on wood, porous stone, plaster wall, sand etc.



2. Drill the 4 holes using a 16mm drill bit and 70mm deep.

3. Vacuum holes once drilled to ensure holes are completely clear of dust and debris.



4. INSTRUCTIONS FOR EPOXY ADHESIVE

Loosely test fit before applying adhesive. Ensure surfaces are clean and dry, free from dust, oil and moisture

Remove caps. Pierce the ends of the tubes using the points on the cap. Be careful to avoid spilling of the adhesive when piercing. Squeeze equal amount of Resin and Hardener onto a clean surface. Mix thoroughly (mix ratio = 1:1. Incorrect ratio or unequal mixing may result in poor hardness) Tighten bolts within 30 minutes. Full bond strength is reached after 24 hours.

WARNING

Irritation for eyes, skin and respiratory system. Hand and eyes protection is recommended. If contact with skin occurs wash thoroughly with soap and warm water. In case of eye contact rinse with plenty of warm water and get prompt medical attention. If swallowed seek medical advice (keep out of reach of children)

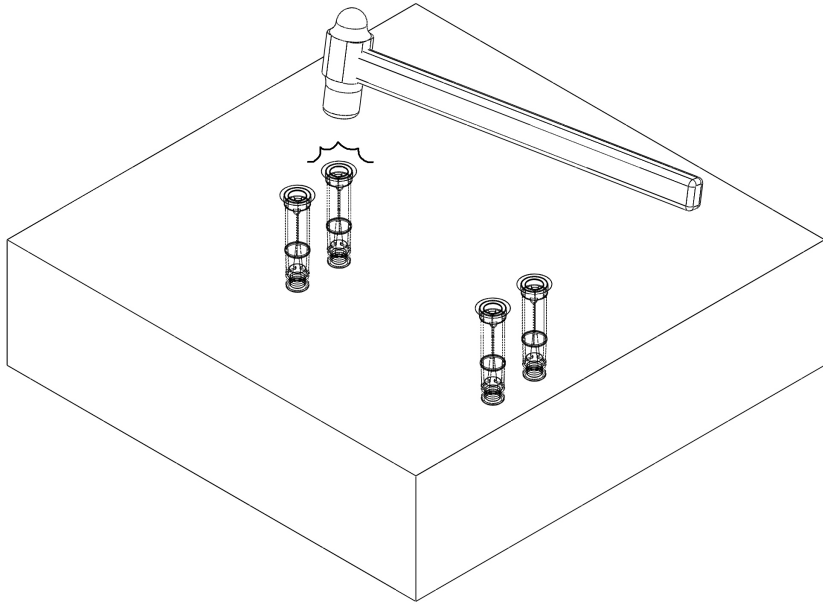
BONDS SKIN	EYE IRRITANT	STORAGE CAREFULLY	VENTILATION	STORE IN COOL & DRY PLACE	IRRITANT

SAFETY. IMPORTANT

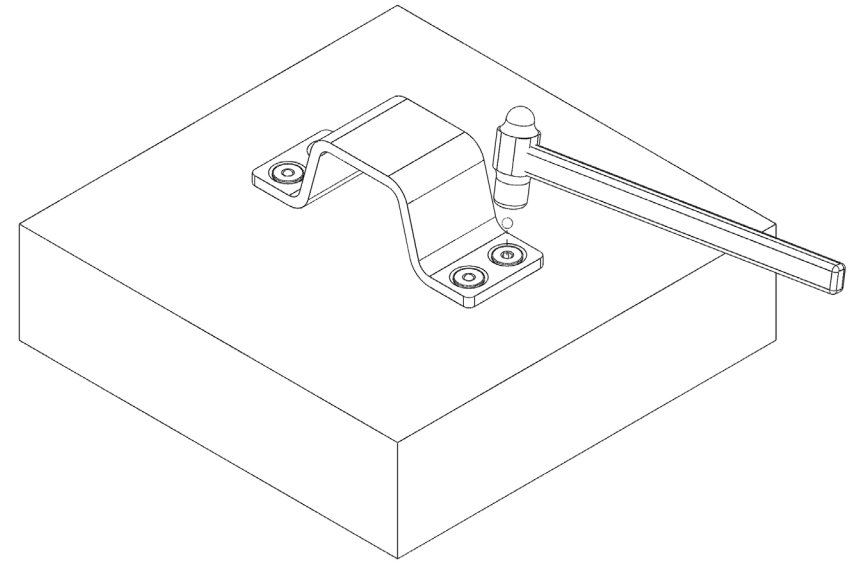
To be fitted by a competent person.

Wear eye protection while drilling.

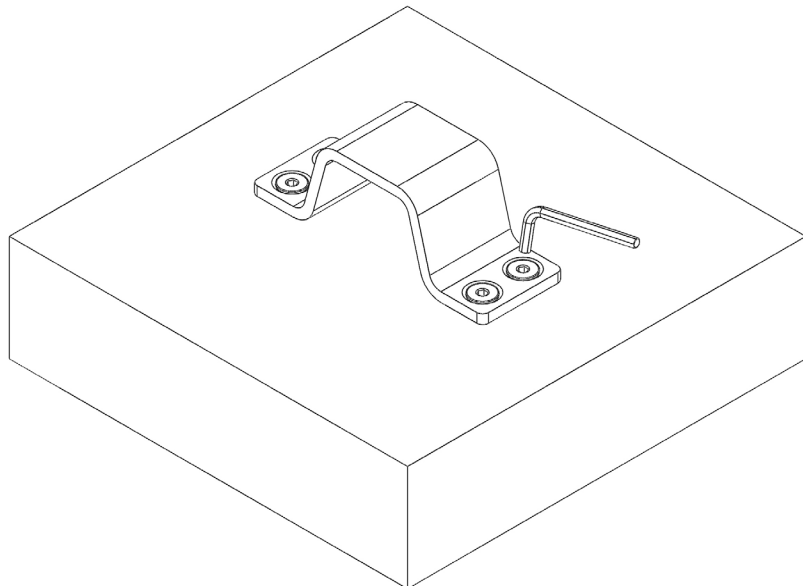
Wear eye protection and gloves when using adhesive



5.



7. Use a hammer to hammer in the steel balls. This will ensure that the Ground Anchor is fitted securely.



6. Use a hex key to tighten all 4 screws.