

# Aventa comfort



**Operating instructions**  
To be kept in the vehicle

Table of contents

Symbols used ..... 2  
**Safety instructions** ..... 2  
**Notes on using air conditioning systems** ..... 3

**Operating instructions**

Remote control ..... 4  
 Start-up ..... 5  
 Switching on ..... 5  
 Temperature ..... 5  
 Mode ..... 5  
 Fan ..... 5  
 Sleep function ..... 5  
 Switching off ..... 5  
 Time ..... 5  
 Timer ON / OFF ..... 5  
 Ambient lighting ..... 5  
 Reset ..... 6  
 Resend ..... 6  
 Setup ..... 6  
 IR receiver and manual on / off ..... 6  
 IR receiver / function display ..... 6  
 Red LED illuminated ..... 6  
 Air Distribution ..... 6  
 IR remote control battery change ..... 6  
**Maintenance** ..... 6  
**Disposal** ..... 6  
**Accessories** ..... 7  
**Troubleshooting** ..... 7  
**Technical data** ..... 8  
 Installation dimensions (in mm) ..... 8  
 Clearance around the air conditioning system ..... 8  
 Air inlets / outlets ..... 8  
 Condensation traps ..... 9  
**Manufacturer's Warranty (European Union)** ..... 9

Symbols used



The device must only be installed and repaired by an expert.



Symbol indicates possible hazards.



Note containing information and tips.

**Safety instructions**



Only competent and trained persons (experts) may install, repair or perform the function check on the Truma product in accordance with the installation and operating instructions and the currently accepted technical regulations. Experts are persons who, based on their specialist instruction and training, their knowledge and experience with Truma products and the relevant standards, can carry out the necessary work properly and identify potential hazards.

This appliance may be used by children from 8 years old and by persons with disabilities or with a lack of experience only if they are supervised or have been instructed in the safe use of the appliance and understand the resulting risks.

Children must not be allowed to play with the appliance.

To avoid transportation damage, the device may only be dispatched if the Truma Service Centre has been consulted beforehand. Truma Service Centre has been consulted beforehand.

The power supply must be disconnected from the mains (all poles) before opening the housing.

The device fuses and connection cables must only be replaced by experts.

The 230 V, T 6.3 A H (slow) device fuse can be found on the electronic control unit in the device and must always be replaced with an identical fuse.

In particular, the following will render warranty and guarantee claims void and lead to exemption from liability claims:

- Modifications to the appliance (including accessories),
- Using replacement and accessory parts other than original Truma parts,
- Failure to follow the installation and operating instructions.

The appliance's operating permit, and consequently also the vehicle's operating permit in some countries, are also rendered void.

The refrigerant circuit contains R 407C refrigerant and must only be opened **in the factory**.

The air inlets / outlets at the external unit and the air distributor must not be obstructed under any circumstances. This is essential in order to ensure that your device operates correctly.

To prevent damage to the appliance, it should not be operated continuously at an incline of more than 8 %.

Do not operate the device in cooling mode for long periods with the vehicle at an angle, since the condensation that is produced may not be able to run away and may penetrate the vehicle under unfavourable circumstances.

In order to ensure that the equipment works properly and to avoid damage, only power supply sources with a purely sinusoidal waveform (e.g. voltage converter, generator) and without voltage peaks must be used.

When the vehicle is being cleaned it must be ensured that no water gets into the device when spraying with a high-pressure cleaner, for example (do not spray directly into the openings of the device).

Hot cleaners and steam cleaners must **not** be used.

The condensation traps must be clear at all times during operation.

## Notes on using air conditioning systems

The air conditioning system is designed for a power consumption of up to 4.2 A. You should still check whether the camp site has adequate fuse protection (min. 6 A) before starting the equipment up.

Park the vehicle in the shade if possible.

Darkening with blinds reduces the amount of heat radiation.

Clean your roof at regular intervals (a dirty roof heats up more than a clean roof).

The vehicle must be properly ventilated before starting the equipment in order to remove accumulated warm air from the vehicle.

In order to obtain a healthy room climate, the difference between the inside and outside temperatures should not be too great. The recirculated air is cleaned and dehumidified during operation. A pleasant room climate is produced by drying the moist air, even with small temperature differences.

Keep all doors and windows closed when in cooling mode so that no condensation forms on the air distributor.

For faster cooling or heating:

- Set fan level to high,
- Set front / rear air distribution to centre position,
- Set floor / ceiling air distribution to ceiling.

# Operating instructions

**i** Operating instructions can be viewed in offline mode with a mobile device and the Truma App. Download the operating instructions when you have a WiFi connection and save them on your mobile device.

**i** The symbols in the display are visible depending on the settings.

## Remote control

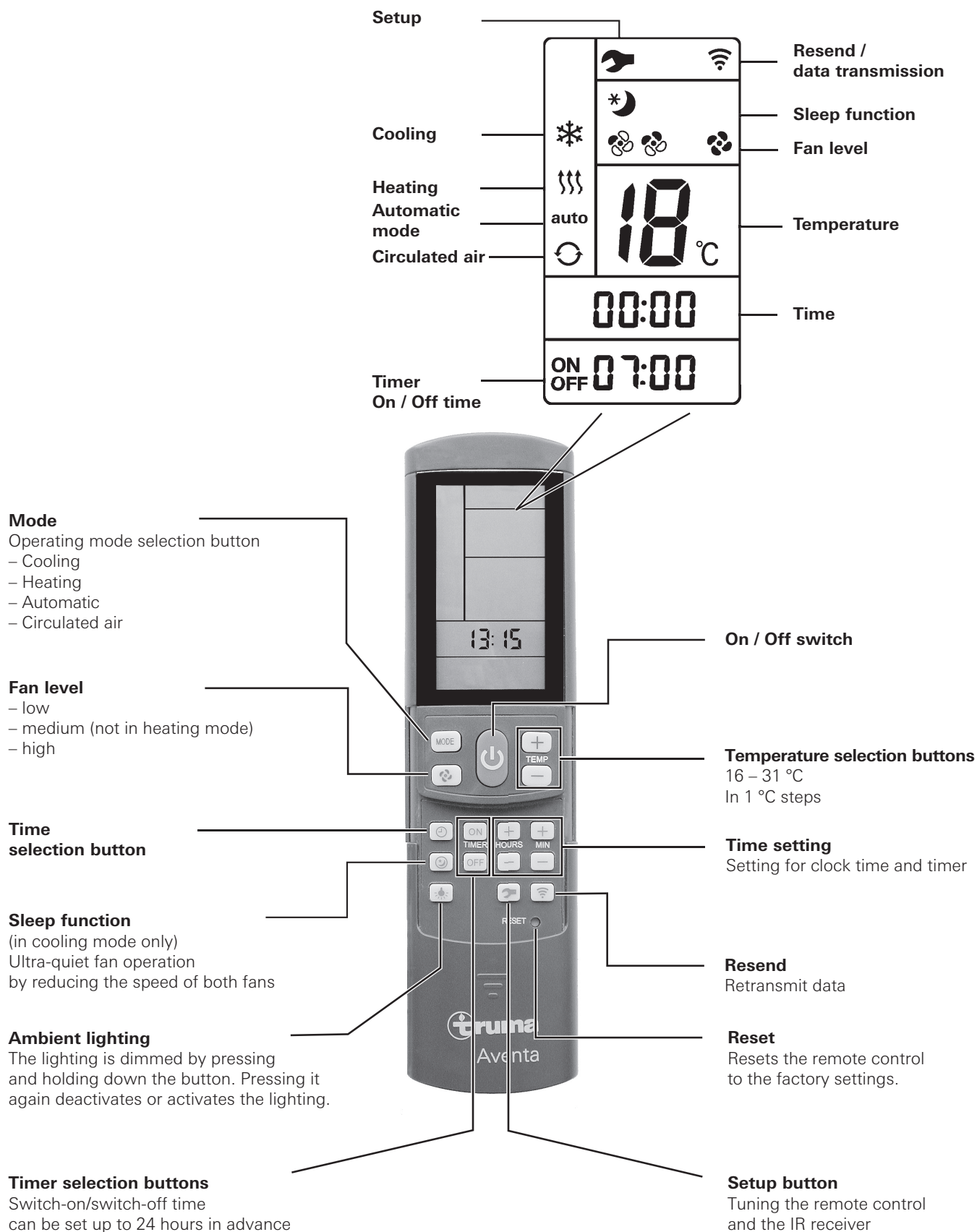


Figure 1

## Start-up

The air conditioning system may only be operated via the vehicle's own power supply (battery, inverter).

Before switching on, be sure to check that the vehicle has adequate power supply fusing (230 V).

The remote control must always be pointed at the infrared receiver in order to perform the individual switching commands.


Before switching on for the first time, the remote control must be tuned to the IR receiver.

- Insert batteries (pay attention to polarity)
- Setup symbol flashes (if symbol does not flash, perform Reset)
- Point remote control at IR receiver
- Press Setup button and hold down
- When the red LED on the IR receiver starts to flash, release the Setup button

The remote control is tuned to the IR receiver, the Setup symbol goes off and the air conditioning system starts in circulated air mode, at low fan level and with no timer set.

## Switching on

Switch on the air conditioning system using the **"On / Off switch"** of the remote control. The last selected settings are taken over.

 The circulated air fan runs after switching on. The compressor switches itself on after no more than 3 minutes, and the blue (cooling) / yellow (heating) LED flashes.

## Temperature


If necessary, use the **"Temperature selection buttons"** to set the required room temperature with **"+"** and **"-"**.

## Mode


Select the required operating mode by pressing the **"MODE"** button one or more times.

- Cooling
- Heating
- Automatic (cooling or heating mode, depending on the room temperature setting)
- Circulated air

When the room temperature that was selected using the remote control is reached in **cooling mode**, the compressor switches off and the blue LED in the IR receiver goes off. The circulated air fan continues to run in order to provide ventilation. If the room temperature setting is exceeded, the device automatically reverts to cooling mode.

 The air is dehumidified during cooling. If the air humidity in the vehicle is extremely high at the beginning of the cooling procedure, moisture can build up on the underside of the air distributor. The doors and windows should therefore be kept closed and the highest fan level selected.

When the room temperature that was selected using the remote control is reached in **heating mode**, the compressor switches off and the yellow LED in the IR receiver goes off. The circulated air fan continues to run in order to provide ventilation. If the temperature drops below the room temperature setting, the device automatically switches to heating mode.

 Heating at an outside temperature of less than 4 °C is not possible because heating performance falls considerably. Between 4 °C and 7 °C the device switches briefly to defrosting processes. At above 7 °C there are no restrictions on heating mode.

In **automatic mode**, cooling / heating mode and the fan level are selected automatically depending on the room temperature.

In **circulated air mode**, the interior air is recirculated and cleaned by the filters. No LEDs illuminate in the IR receiver.

## Fan

Select the required fan level by pressing the **"Fan level"** button one or more times.

**Fan level** (not functional in automatic mode):


- low
- medium (not in heating mode)
- high

## Sleep function

In **"sleep function"** (cooling mode only), the internal and external fans operate at slow speed and are therefore extremely quiet.

## Switching off

To switch off, press the **"On / Off switch"** on the remote control. The remote control and the device are switched off. The light can still be switched on and off using the **"Ambient lighting"** button.

 If the air conditioning system is switched on again, the blue / yellow LED flashes. The circulated air fan runs, and the compressor switches on after no more than 3 minutes.

## Time

Press the **"Time selection button"** and set the current time using the "Time setting" buttons.

The time is always shown on the display (exception with ON / OFF timer).

The time must be reset after changing the batteries or after a daylight saving time change.

## Timer ON / OFF

The On / Off time of the air conditioning system can be set in advance for a minimum of 15 minutes to a maximum of 24 hours, starting from the current time, using the integrated timer.

The device must be switched on using the remote control in order to program it.

Set required operating mode and room temperature.

Then select TIMER ON or TIMER OFF using the **"TIMER selection buttons"**. Set the required On / Off time using the **"Time setting"** buttons (15 minutes to 24 hours) and **confirm** with TIMER ON or TIMER OFF.

Pressing the relevant timer button again deactivates the timer function.

## Ambient lighting

Irrespective of whether the air conditioning system is operating, the lighting in the air distributor can be switched on or off by pressing the **"Ambient lighting"** button. The lighting is dimmed by pressing and holding down the **"Ambient lighting"** button. The previous setting is activated when it is switched on again.

## Reset

Resets the settings of the remote control to the factory settings when pressed using a ballpoint pen, for example. Setup symbol flashes.

## Resend

The previous settings are resent.

## Setup

Tune the remote control to the air conditioning system that is going to be operated.

## IR receiver and manual on / off

There is an additional pushbutton on the IR receiver (m), with which the unit can also be switched on and off without the remote control (e.g. with a ballpoint pen).

If the unit is switched on using this pushbutton, the system is automatically reset to the factory settings (automatic mode, 22 °C).

## IR receiver / function display

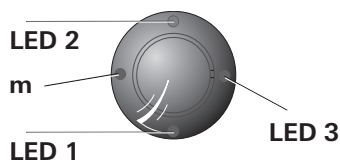


Figure 2

LED 1 blue – illuminated – (cooling mode)  
LED 1 blue – flashing – (cooling mode compressor start-up)

LED 2 yellow – illuminated – (heating mode)  
LED 2 yellow – flashing – (heating mode compressor start-up)

LED 3 red – flashing – (data transfer in progress)  
LED 3 red – illuminated – (fault)

## Red LED illuminated

The device is indicating a fault. Switch device off, wait for a short time and switch on again. If the red LED continues to illuminate, please contact the Truma Service Centre.

## Air Distribution

### Right / left

There are two individually adjustable air outlets at the front and rear.

### Front / rear

The air flow can be metered between the front and rear areas of the vehicle.

### Ceiling / floor

The air flow can be directed from the ceiling to the floor.

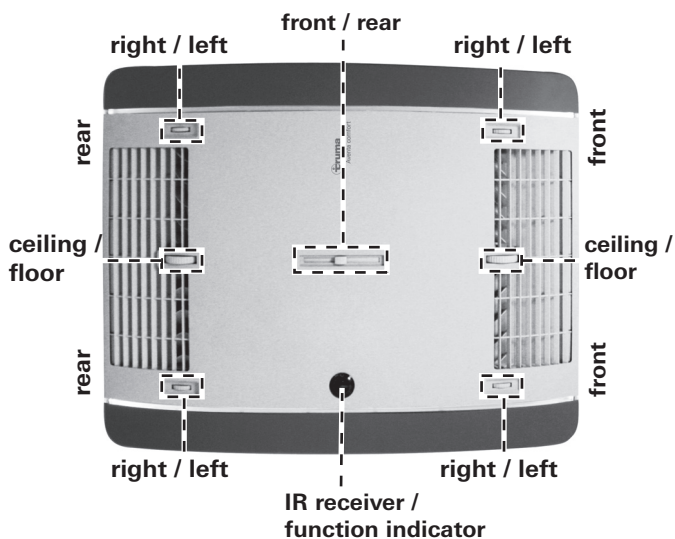


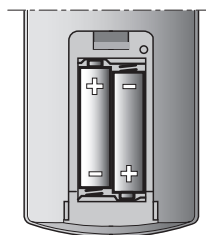
Figure 3

## IR remote control battery change

**i** The tuning between the remote control and the air conditioning system is retained if the batteries are removed.

Only use micro-batteries that will not leak, type LR 3, AM4, AAA, MN 2400 (1.5 V).

The battery compartment is on the back of the remote control.



When inserting new batteries, make sure the positive / negative terminals are connected correctly.



Empty, used batteries can leak and damage the remote control! Remove the batteries if the remote control is not being used for a long period of time.

Figure 4

**No warranty is given for damage caused by leaking batteries.**

## Disposal



Neither the remote control nor the batteries may be disposed of with domestic refuse, instead they must be sent for recycling separately via a collection point. By doing this you are contributing towards reuse and recycling.

## Maintenance

Maintenance, repairs and cleaning must not be done by children.

Carry out filter changes depending on the amount of use, but at least every 12 months. Never operate the air conditioning system without a filter. This can lead to loss of power. Keep the air inlets / outlets and the condensation traps on the roof free of obstructions such as leaves at all times. The air conditioning system should only be cleaned with a soft, damp cloth.

## Disposal

The appliance must be disposed of in accordance with the administrative regulations of the respective country in which it is used. National regulations and laws (in Germany, for example, the End-of-life Vehicle Regulation) must be observed.

In other countries, the relevant regulations must be observed.

## Accessories

Filter set, 2 pieces (part no. 40091-16800).



Figure 5

### Truma CP plus

Truma CP plus digital control panel with automatic climate control for the iNet-capable Truma heaters Combi and Truma air conditioning systems Aventa eco, Aventa comfort (from serial number 24084022 – 04/2013), Saphir comfort RC and Saphir compact (from serial number 23091001 – 04/2012)

- The automatic climate control function automatically controls the heater and the air conditioning system until the required temperature is reached in the vehicle.
- Can be extended with the Truma iNet Box. With this, all TIN bus-capable Truma appliances can also be controlled via the Truma App



Figure 6

### Truma iNet Box

The Truma iNet Box for simple networking and control of Truma appliances with a smartphone or tablet computer using the app.

- Simple installation and start-up via the Truma App
- Can be extended with the update function, which ensures that it is always up to date



Figure 7

## Troubleshooting

| Error   | Cause / Remedy   |
|---|--|
| Device not cooling                                  | <ul style="list-style-type: none"> <li>– Thawing procedure in progress</li> <li>– Remote control temperature setting reached or too high</li> </ul>  |
| Device not heating                                  | <ul style="list-style-type: none"> <li>– Thawing process in progress (outside temperature between 4 °C – 7 °C)</li> <li>– Outside temperature below 4 °C</li> </ul>  |
| Device cooling / heating inadequately or not at all | <ul style="list-style-type: none"> <li>– Filter soiled, change filter</li> <li>– External air routes soiled / blocked</li> </ul>   |
| Moisture on underside of air distributor            | <ul style="list-style-type: none"> <li>– Close windows and doors and select high fan level</li> </ul>  |
| Water dripping out of air distributor               | <ul style="list-style-type: none"> <li>– Condensation trap on external unit blocked</li> <li>– Seal between device and roof not intact</li> <li>– System at too much of an angle</li> </ul>  |
| Remote control not working                          | <ul style="list-style-type: none"> <li>– Check batteries in remote control and replace if necessary</li> </ul>   |
| Device not reacting to remote control commands      | <ul style="list-style-type: none"> <li>– Check whether there are obstructions between the remote control and the IR receiver</li> <li>– Is the remote control tuned to the IR receiver? / Tune remote control to IR receiver.</li> </ul> |

**If these actions do not remedy the problem, please contact Truma Service.**

## Technical data

Determined on the basis of EN 14511 or Truma test conditions

### Power supply

230 V – 240 V ~, 50 Hz

### Power consumption

Cooling: 4.2 A

Heating: 3.7 A

### Start-up current

28 A (150 ms)

### Cooling power

2.4 kW

### Heating power

1.7 kW (heat pump)

### Air volume flow

max. 400 m<sup>3</sup>/h

### Usage limits

+4 °C to 40 °C

### Maximum angle during operation

8 %

### Weight

33 kg plus installation materials

### Dimensions (W x H x D)

External: 660 x 248 x 1008 mm

Internal: 523 x 46 x 670 mm

### Refrigerant

R 407C / 0.67 kg

Contains fluorinated greenhouse gases covered by the Kyoto Protocol. Hermetically sealed.

### Global Warming Potential (GWP)

1774

### CO<sub>2</sub> equivalent

1188.6 kg



Registration No.: R-R-tRm-Aventa  
 Product Name (Model): Truma Aventa comfort  
 Manufacturing Date: see marking on the type plate  
 Applicant: Truma Geraetetechnik GmbH & Co. KG  
 Manufacturer/Country of Origin: Bitwise Co., Ltd./ Thailand

## KC information in QR-Code

Open the QR-code App on a mobile device.

Focus the main camera on the QR code.

The QR code will be read automatically. Tap on the pop-up window that appears to display the information from the QR code.

To verify the information, click on the link below - you will be automatically redirected to the National Radio Research Agency website where all KC information can be found.

## Installation dimensions (in mm)

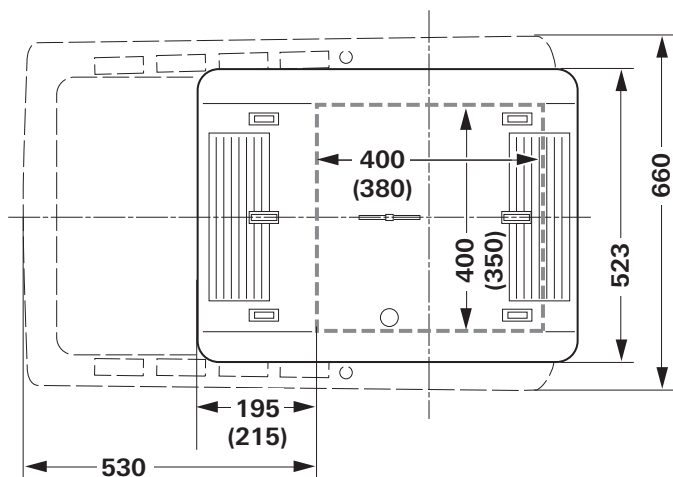


Figure 8

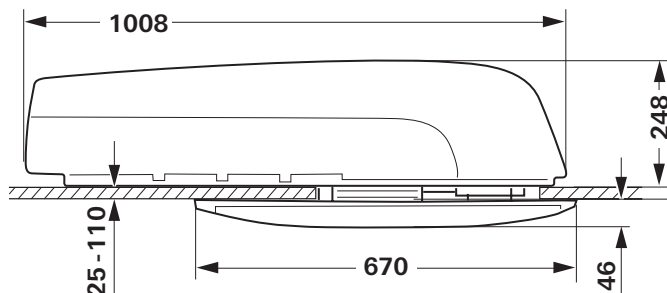


Figure 9

## Clearance around the air conditioning system

The clearance around the **external unit** must be 20 mm at the front and 100 mm at the side. At least 30 mm of clearance must be left at the rear. Truma recommends clearance of 200 mm so that the exhaust air can blow out freely.

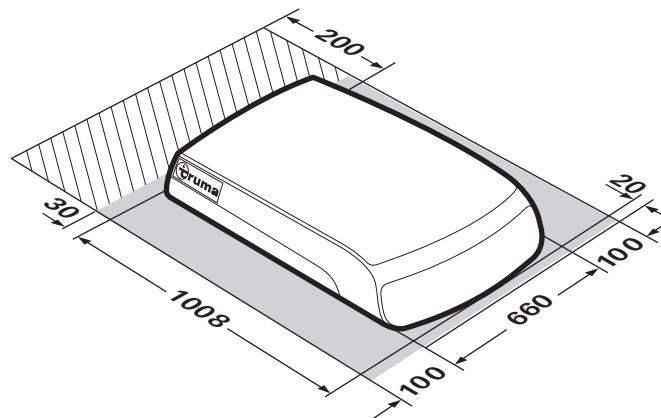


Figure 10

The clearance around the **air distributor** must allow the air to blow out without obstructions. The side clearance must be at least 40 mm. The pivoting range of flaps and doors must be taken into consideration.

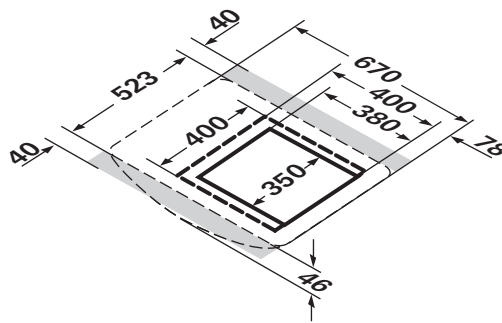


Figure 11

## Air inlets / outlets

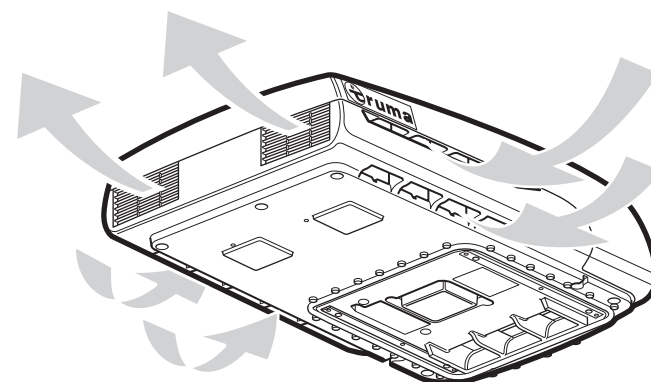


Figure 12



## Condensation traps

The condensation is led away via the roof of the vehicle.

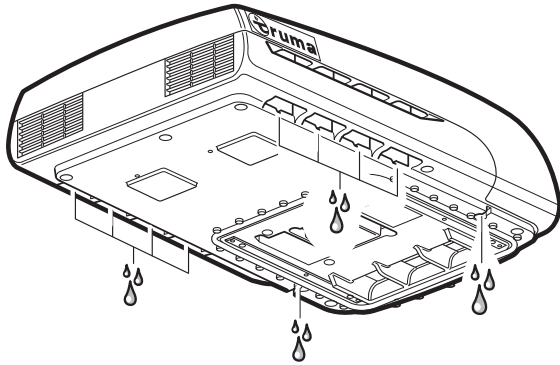


Figure 13

## Manufacturer's Warranty (European Union)

### 1. Scope of Manufacturer's Warranty

As the Manufacturer of the unit, Truma undertakes a warranty towards the Consumer that covers any material and/or manufacturing defects of the unit.

This Warranty is applicable in EU member states as well as in Iceland, Norway, Switzerland and Turkey. A Consumer is the natural person who was the first one to purchase the unit from the Manufacturer, OEM or dealer and who neither resold the unit in a commercial or self-employed professional capacity nor did he or she install it for a third party in such a capacity.

The Manufacturer's Warranty covers any of the aforementioned defects that occur within 24 months upon concluding the purchase agreement between the seller and the Consumer. The Manufacturer or an authorised service partner undertakes to remedy such defects through subsequent fulfilment, i.e. at its discretion either by repairing or replacing the defective item. Any defective parts shall become the property of the Manufacturer or the authorised service partner. If the unit is no longer manufactured at the time of defect notification and if replacement delivery has been opted for, then the Manufacturer may deliver a similar product.

If the Manufacturer remedies a defect under its warranty commitment, the term of the Warranty shall not recommence anew with regard to the repaired or replaced parts; rather, the original warranty period shall continue to be applicable to the unit. Only the Manufacturer itself and an authorised service partner shall be entitled to conduct a warranty job. Any costs that occur in the event of a warranty claim shall be settled directly between the authorised service partner and the Manufacturer. The Warranty does not cover additional costs arising from complicated removal or installation jobs on the unit (e.g. dismantling of furnishings or parts of the vehicle body), and neither does it cover travel expenses incurred by the authorised service partner or the Manufacturer.

No further-reaching claims shall be permitted, especially damage claims presented by the Consumer or third parties. This provision shall not affect the validity of the German Product Liability Act (Produkthaftungsgesetz).

Neither does the voluntary Manufacturer's Warranty affect the Consumer's legally applicable claims for defects towards the seller in the relevant country of purchase. In individual countries there may be warranties that can be issued by the relevant dealer (official distributor, Truma Partner). In such cases the warranty can be implemented directly through the dealer from whom the Consumer bought the unit. The warranty regulations of the country in which the unit was purchased by the Consumer for the first time shall also be applicable.

## 2. Warranty exclusions

No warranty claim shall be applicable under the following circumstances:

- Improper use, contrary to the specified use
- Improper installation, assembly or commissioning, contrary to operating or installation instructions
- Improper operation, contrary to operating or installation instructions, particularly maintenance, care and warning notes
- Instances where repairs, installations or any other procedures have been conducted by non-authorised partners
- Consumable materials and parts which are subject to natural wear and tear
- Installation of replacement, supplementary or accessory parts that are not original Manufacturer's parts and which have thus caused a defect
- Damage arising from foreign substances (e.g. oils, plasticisers in the gas), chemical or electrochemical influences in the water, or cases when the unit has come into contact with unsuitable substances (e.g. chemical products, unsuitable cleaning agents)
- Damage caused by abnormal environmental or unsuitable operating conditions
- Damage caused by force majeure or natural disasters or any other influences not within Truma's responsibility
- Damage resulting from improper transport

## 3. Making a warranty claim

The warranty must be claimed with an authorised service partner or at the Truma Service Centre. All the relevant addresses and phone numbers can be found at [www.truma.com](http://www.truma.com), in the "Service" section.

To ensure a smooth procedure, we would be grateful if you could have the following details ready before contacting us:

- Detailed description of the defect
- Serial number of the unit
- Date of purchase

The authorised service partner or the Truma Service Centre will then specify the further procedure. To avoid transport damage, the affected unit must only be shipped by prior arrangement with the authorised service partner or the Truma Service Centre.

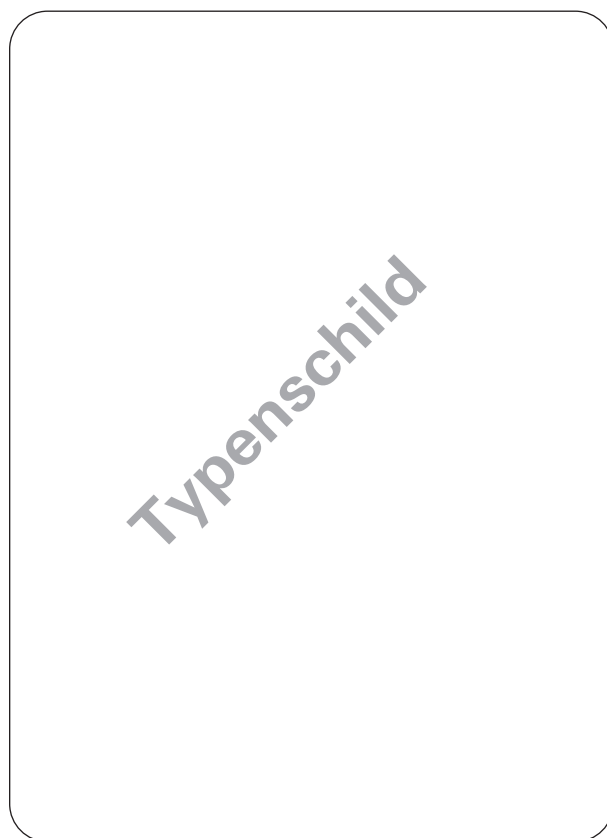
If the warranty claim is recognised by the Manufacturer, then the transport expenses shall be borne by the same. If no warranty claim is applicable, the Consumer will be notified accordingly and any repair and transport expenses shall then be the Consumer's liability. We ask you not to send in a unit without prior arrangement.





Should problems occur, please contact the Truma Service Centre or one of our authorised service partners (see [www.truma.com](http://www.truma.com)).

In order to avoid delays, please have the unit model and serial number ready (see type plate).



Truma Gerätetechnik GmbH & Co. KG  
Wernher-von-Braun-Straße 12  
85640 Putzbrunn  
Deutschland

**Service**

Telefon +49 (0)89 4617-2020  
Telefax +49 (0)89 4617-2159

[service@truma.com](mailto:service@truma.com)  
[www.truma.com](http://www.truma.com)